

74050 - 54" Round Din table top
74052 - Round Din table base
74250 - 54" Round Din table top

PART LIST

1 Metal Base
1 Copper Top

HARDWARE LIST

8 Screws #10 x 3/4"
4 Floor Glide 1/2" dia. (installed)

TOOLS REQUIRED BUT NOT PROVIDED

Phillips Screwdriver

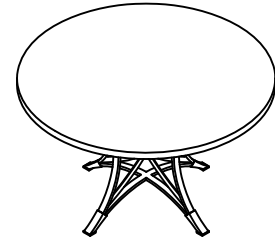
Note: The hardware is included with the #74052 Dining Table Base.

Thank you for purchasing this quality product. Be sure to check all packing material carefully for small parts which may have come loose inside the carton during shipment. Identify and count all parts and compare with parts lists.

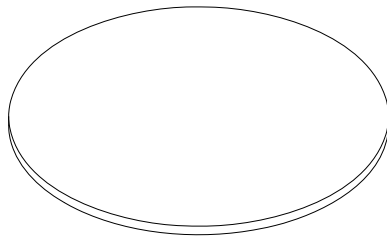
It is strongly recommended that this table be assembled by **TWO PEOPLE** to avoid marking or scratching the finish. It is easier to assemble this product upside down.

1. Locate and unpack all the parts and place them on a soft surface such as a blanket or carpet.
2. Place the Copper Top upside down on a soft surface and position the Metal Base on the Copper Top according to the numbers.
3. Attach the Metal Base to the Copper Top using the #10 x 3/4" Screws. Tighten using your Phillips Screwdriver.
4. Turn the completed Table upright.

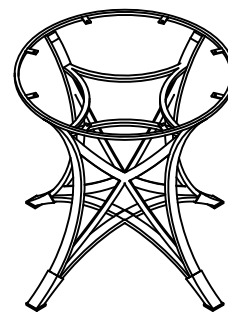
It is recommended that you periodically check and tighten all parts during the lifetime of the product. Clean with a damp cloth and buff dry with a soft cloth. Use of commercial polishes or waxes is not recommended.



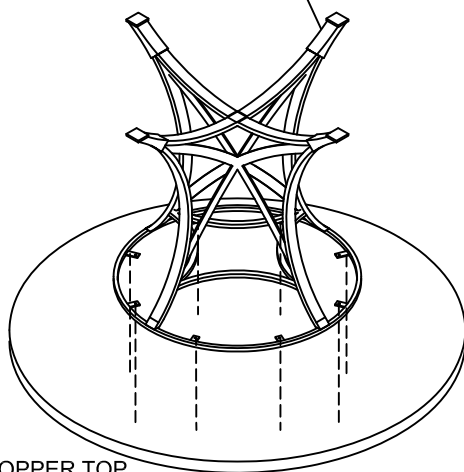
COPPER TOP



METAL BASE

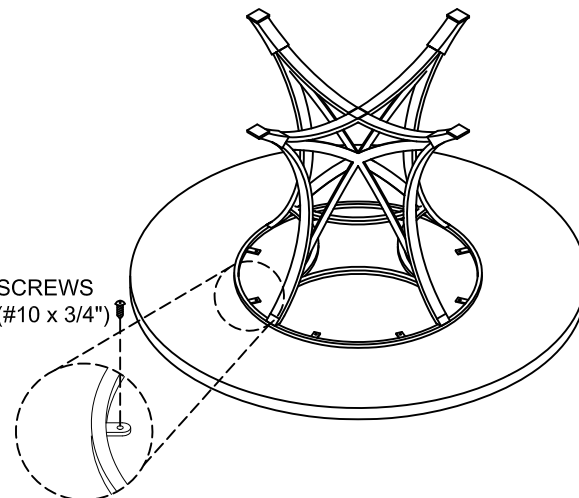


METAL BASE



COPPER TOP

SCREWS
(#10 x 3/4")



The top of this table is covered using pure, genuine copper. The processes the copper has been subjected to have created the individually unique appearance of each piece. The appearance was not created by the application of any type of coating which can be removed from the surface. Care must be used not to use any type of abrasive cleaners on the finish to prevent the copper from being polished or scratched and permanently change the antique appearance.